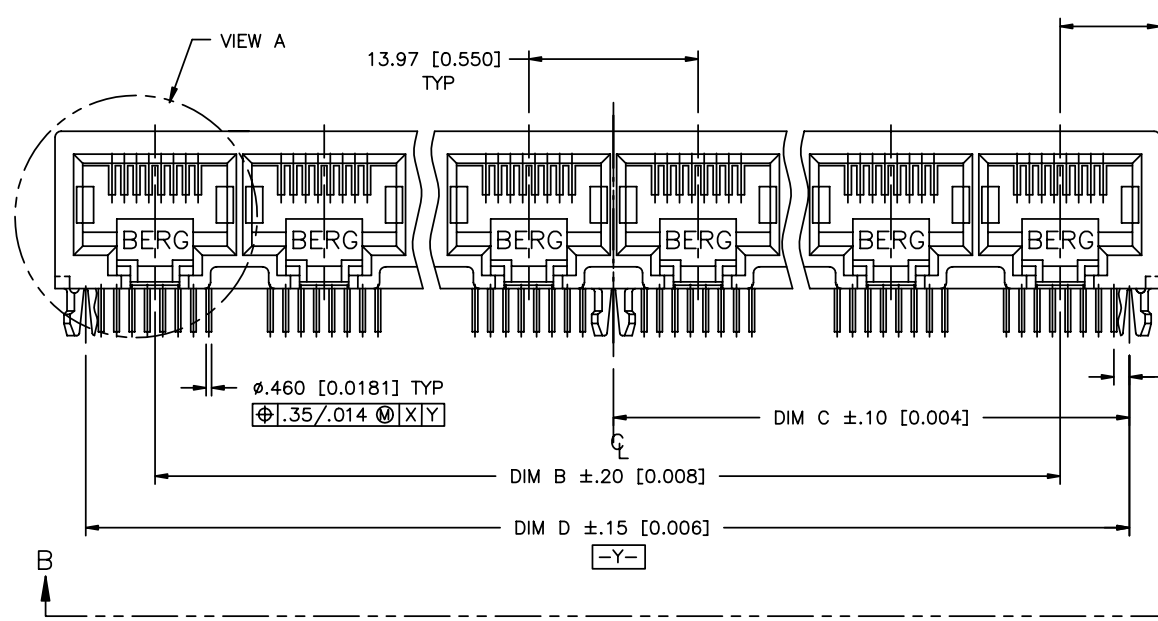
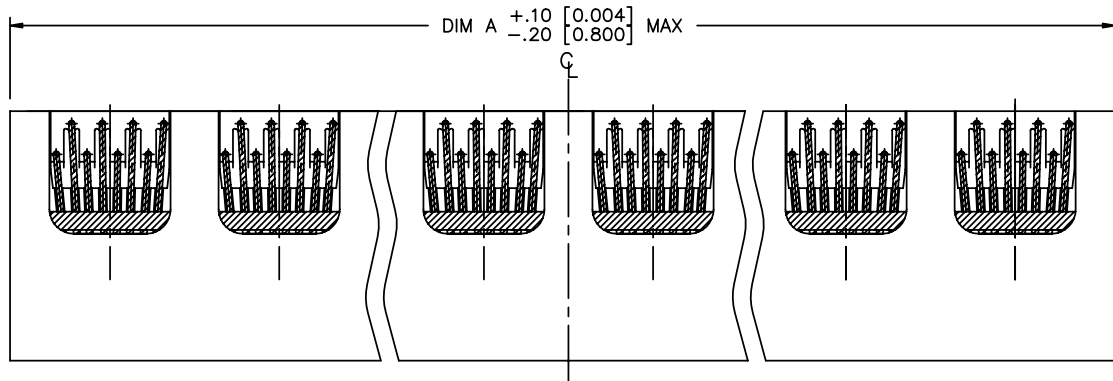


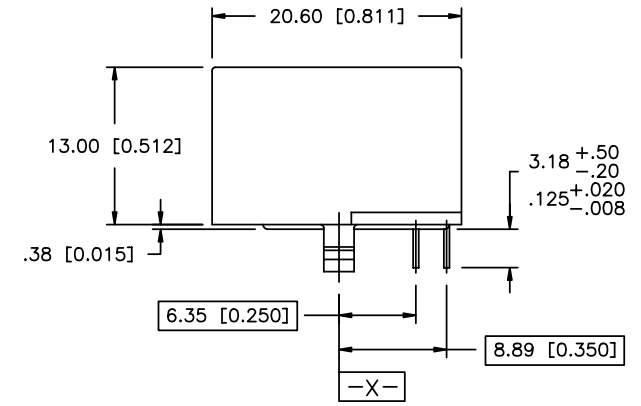
Tous droits strictement reserves. Reproduction ou communication a des tiers interdite sous quelque forme que ce soit sans autorisation écrite du propriétaire. Propriete de c FCI. Droits de reproduction FCI.

All rights strictly reserved. Reproduction or issue to third parties in any form whatever is not permitted without written authority from the proprietor. Property of FCI. Copyright FCI.

PRODUCT NO.  
94911-XXXLF



8.26 [0.325] -X02LF THRU -X12LF  
7.62 [0.300] -X01LF



2.54 [0.100] -X02LF THRU -X12LF  
1.91 [0.075] -X01LF

mat'l. code				tolerances unless otherwise specified		CUSTOMER COPY	 www.fciconnect.com	
ltr	ecn no	dr	date	linear	.X±.3/.XX ±.01			
H	T80171	CATHY	6/10/98		.XX±.13/.XXX ±.005	projection	title	
J	V81304	RGD	7/13/98		.XXX±.051/.XXX ±.0020		R/A. 8 POS GANG JACK ASSY. UNSHIELDED, SNAP PEG	
K	N04-0119	MHT	12/9/04	angles	0° ±2'		product family	MOD JACK
L	N08-0100	SH	9/25/08	dr	KCHOU 5/5/94	MM/INCH	code	
				enr	TC 5/5/94	scale	size	
				chr	JTSAO 5/5/94		1:1	dwg no
				appd	JTSAO 5/5/94		A	94911
sheet index	revision sheet	K	J	J	J		sheet	
		1	2	3	4	5	1 of 5	

ACAD

PDM: Rev:L

STATUS Released

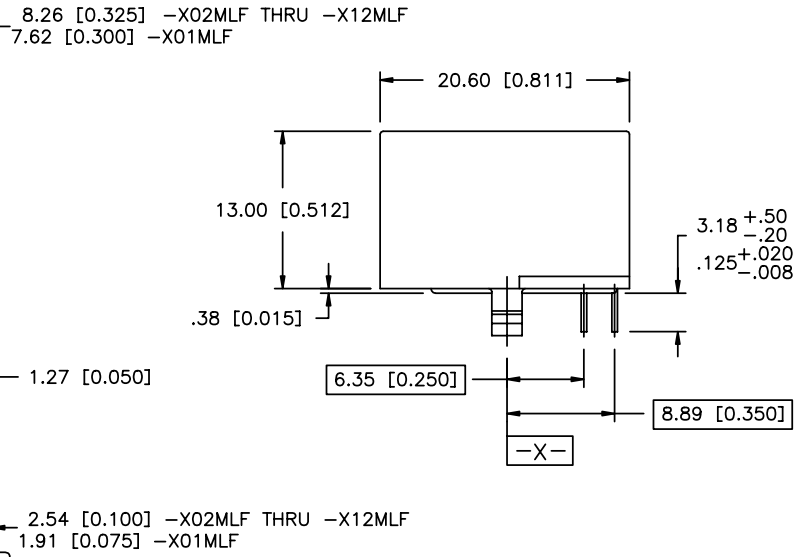
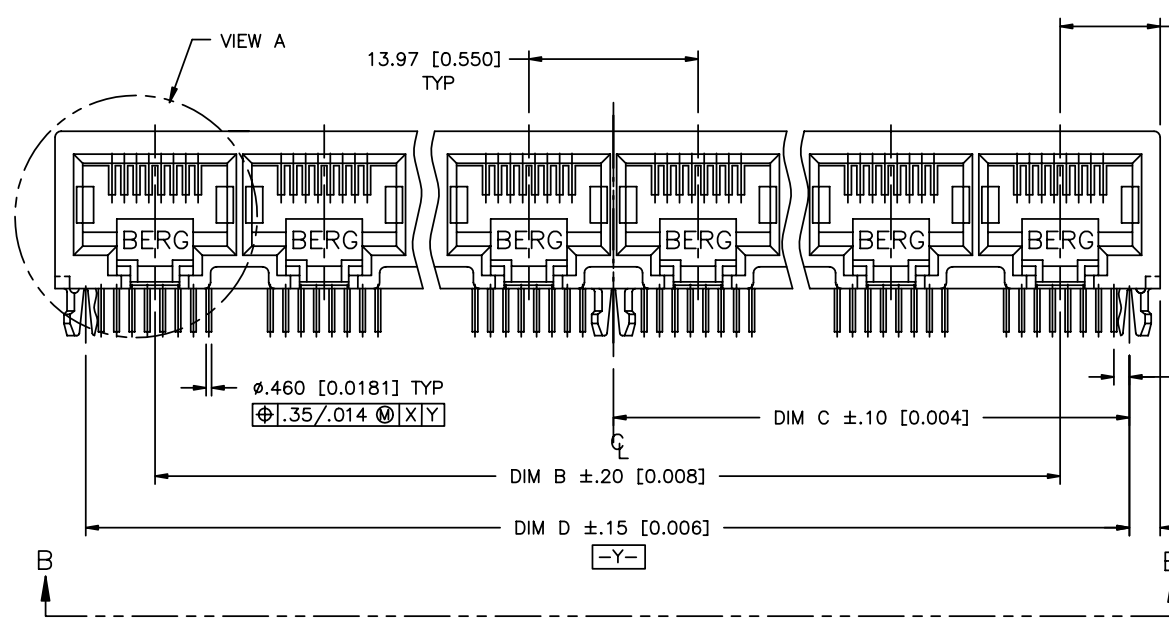
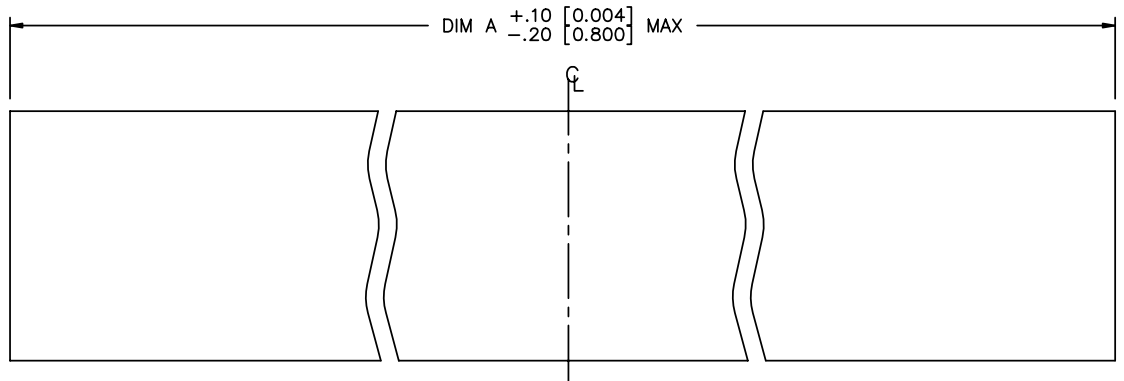
cage code 94911  
Printed Oct 30, 2008

Tous droits strictement réservés. Reproduction ou communication à des tiers interdite sous quelque forme que ce soit sans autorisation écrite du propriétaire. Propriété de c FCI. Droits de reproduction FCI.

All rights strictly reserved. Reproduction or issue to third parties in any form whatever is not permitted without written authority from the proprietor. Property of FCI. Copyright FCI.



PRODUCT NO.  
94911-XXXMLF



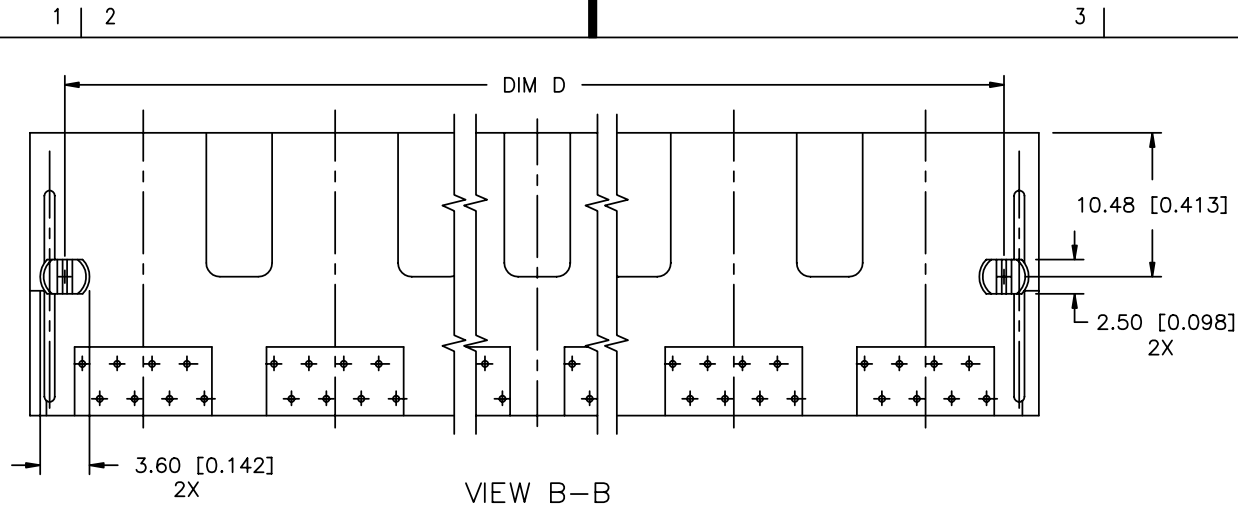
mat'l. code				tolerances unless otherwise specified		CUSTOMER COPY		 www.fciconnect.com	
ltr	ecn no	dr	date	linear	.X±.3/.XX ±.01		projection	title	
L					.XX±.13/.XXX ±.005			R/A. 8 POS GANG JACK ASSY. UNSHIELDED, SNAP PEG	
				angles	XXX±.051/.XXXX ±.0020		 MM/INCH	product family MOD JACK	
				dr	KCHOU	5/5/94		size	
				enr	TC	5/5/94	dwg no		
				chr	JTSAO	5/5/94	94911		
				appd	JTSAO	5/5/94	sheet 2 of		
sheet index	revision sheet						scale 1:1	A	

Tous droits strictement réservés. Reproduction ou communication a des tiers interdite sous quelque forme que ce soit sans autorisation écrite du propriétaire. Propriété de c FCI. Droits de reproduction FCI.

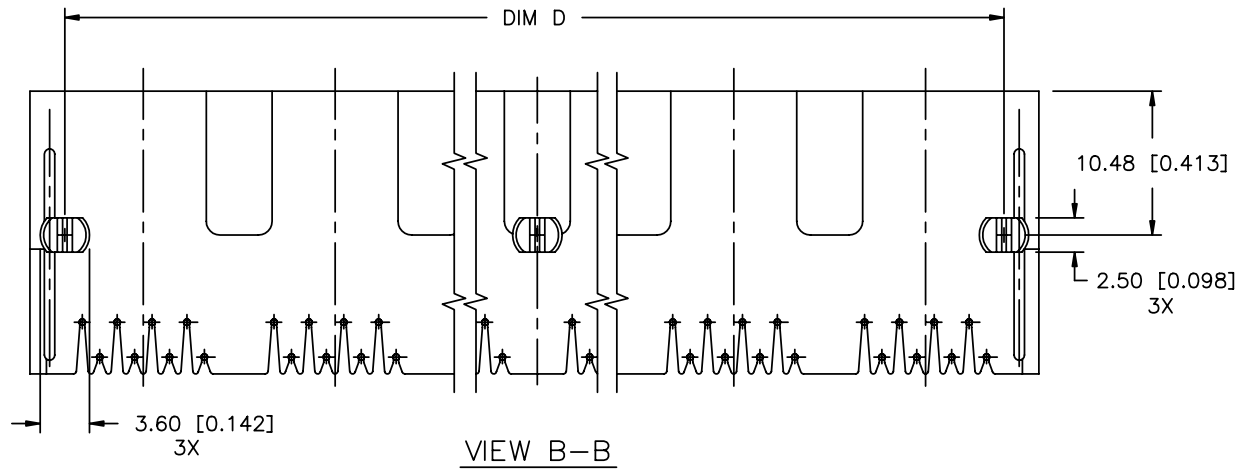


All rights strictly reserved. Reproduction or issue to third parties in any form whatever is not permitted without written authority from the proprietor. Property of FCI. Copyright FCI.

PRODUCT NO.  
SEE TABLE



—XXXLF PRODUCT ONLY (WITHOUT CENTER PEG – SEE NOTE 4)



—XXXMLF PRODUCT ONLY (WITH CENTER PEG – SEE NOTE 3)

mat'l. code				tolerances unless otherwise specified		CUSTOMER COPY	 www.fciconnect.com
ltr	ecn no	dr	date	linear	.X±.3/.XX ±.01		
L					.XX±.13/.XXX ±.005		R/A. 8 POS GANG JACK ASSY. UNSHIELDED, SNAP PEG
				angles	.XXX±.051/.XXXX ±.0020		
				dr	KCHOU 5/5/94	MM/INCH	code
				enr	TC 5/5/94	scale	size
				chr	JTSAO 5/5/94		
				appd	JTSAO 5/5/94	A	sheet
sheet index	revision sheet						3 of

Tous droits strictement réservés. Reproduction ou communication à des tiers interdite sous quelque forme que ce soit sans autorisation écrite du propriétaire. Propriété de c FCI. Droits de reproduction FCI.

All rights strictly reserved. Reproduction or issue to third parties in any form whatever is not permitted without written authority from the proprietor. Property of FCI. Copyright FCI.

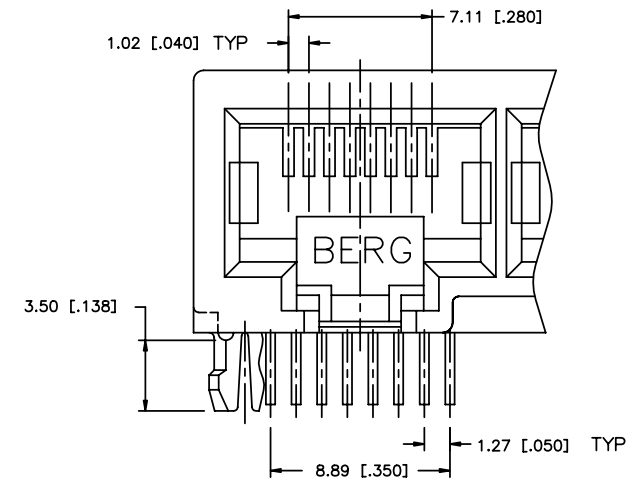


PRODUCT No.	NO OF PORTS	DIM A $\begin{matrix} +.10 [0.004] \\ -.20 [0.008] \end{matrix}$	DIM B	DIM C $\pm .10 [0.004]$	DIM D $\pm .15 [0.006]$
94911-X01MLF	1	15.24 [0.600]	-----	5.72 [0.225]	11.43 [0.450]
94911-X02MLF	2	30.48 [1.200]	13.97 [0.550]	12.70 [0.500]	25.40 [1.000]
94911-X03MLF	3	44.45 [1.750]	27.94 [1.100]	19.69 [0.775]	39.37 [1.550]
94911-X04MLF	4	58.42 [2.300]	41.91 [1.650]	26.67 [1.050]	53.34 [2.100]
94911-X05MLF	5	72.39 [2.850]	55.88 [2.200]	33.66 [1.325]	67.31 [2.650]
94911-X06MLF	6	86.36 [3.400]	69.85 [2.750]	40.64 [1.600]	81.28 [3.200]
94911-X07MLF	7	100.33 [3.950]	83.82 [3.300]	47.63 [1.875]	95.25 [3.750]
94911-X08MLF	8	114.30 [4.500]	97.79 [3.850]	54.61 [2.150]	109.22 [4.300]
94911-X08LLF	8	114.30 [4.500]	97.79 [3.850]	54.61 [2.150]	109.22 [4.300]
94911-X09MLF	9	128.27 [5.050]	111.76 [4.400]	61.60 [2.425]	123.19 [4.850]
94911-X10MLF	10	142.24 [5.600]	125.73 [4.950]	68.58 [2.700]	137.16 [5.400]
94911-X11MLF	11	156.21 [6.150]	139.70 [5.500]	75.57 [2.975]	151.13 [5.950]
94911-X12MLF	12	170.18 [6.700]	153.67 [6.050]	82.55 [3.250]	165.10 [6.500]

PRODUCT No.	NO OF PORTS	DIM A $\begin{matrix} +.10 [0.004] \\ -.20 [0.008] \end{matrix}$	DIM B	DIM C $\pm .10 [0.004]$	DIM D $\pm .15 [0.006]$
94911-X01LF	1	15.24 [0.600]	-----	5.72 [0.225]	11.43 [0.450]
94911-X02LF	2	30.48 [1.200]	13.97 [0.550]	12.70 [0.500]	25.40 [1.000]
94911-X03LF	3	44.45 [1.750]	27.94 [1.100]	19.69 [0.775]	39.37 [1.550]
94911-X04LF	4	58.42 [2.300]	41.91 [1.650]	26.67 [1.050]	53.34 [2.100]
94911-X05LF	5	72.39 [2.850]	55.88 [2.200]	33.66 [1.325]	67.31 [2.650]
94911-X06LF	6	86.36 [3.400]	69.85 [2.750]	40.64 [1.600]	81.28 [3.200]
94911-X07LF	7	100.33 [3.950]	83.82 [3.300]	47.63 [1.875]	95.25 [3.750]
94911-X08LF	8	114.30 [4.500]	97.79 [3.850]	54.61 [2.150]	109.22 [4.300]
94911-X09LF	9	128.27 [5.050]	111.76 [4.400]	61.60 [2.425]	123.19 [4.850]
94911-X10LF	10	142.24 [5.600]	125.73 [4.950]	68.58 [2.700]	137.16 [5.400]
94911-X11LF	11	156.21 [6.150]	139.70 [5.500]	75.57 [2.975]	151.13 [5.950]
94911-X12LF	12	170.18 [6.700]	153.67 [6.050]	82.55 [3.250]	165.10 [6.500]

⑧

PLATING CODE X	PLATING
0	.76uM/30u" G.X.T.
1	.38uM/15u" GOLD
3	.76uM/30u" GOLD
5	1.27uM/50u" GOLD



VIEW A  
SCALE: 2/1

NOTES

1. APPLICABLE PC BOARD THICKNESS: 1.60 [0.062].
2. CONTACTS: PHOSPHOR BRONZE ALLOY UNS-C51000,  $\phi .460 [0.0181]$  ROUND WIRE, SEE TABLE FOR PLATING.
- ③ CENTER PEG FOR 8 PORTS AND ABOVE, (-XXXMLF PRODUCT ONLY).
- ④ NO CENTER PEG FOR P/N 94911-008LLF, AND -XXXLF PRODUCT.
5. PART NUMBERS WITH LF IN THE END ARE LEAD FREE.
6. THIS PRODUCT MEETS EUROPEAN UNION DIRECTIVES AND OTHER COUNTRY REGULATION AS DESCRIBED IN GS-22-008.
7. THE HOUSING WITHSTAND EXPOSURE TO 260° PEAK TEMPERATURE FOR 15 SECONDS IN A CONVENTION INFRA-RED OR VAPOR PHASE REFLOW OVEN.
- ⑧ EQUIVALENT THICKNESS Au AND GXT PLATING HAVE SAME FUNCTION AND THEY ARE ALTERNATIVE BY THE CUSTOEMR .

mat'l. code				tolerances unless otherwise specified		CUSTOMER COPY		FCI www.fciconnect.com	
ltr	ecn no	dr	date	linear	.X $\pm$ .3/.XX $\pm$ .01		projection	title	
L					.XX $\pm$ .13/.XXX $\pm$ .005			R/A. 8 POS GANG JACK ASSY. UNSHIELDED, SNAP PEG	
				angles	XXX $\pm$ .051/.XXXX $\pm$ .0020		MM/INCH	product family MOD JACK	
					0° $\pm$ 2'			code	
				dr	KCHOU	5/5/94	scale	size	
				enr	TC	5/5/94		94911	
				chr	JTSAO	5/5/94	1:1	sheet	
				appd	JTSAO	5/5/94		4 of	
sheet index	revision sheet							cage code	
								20520	

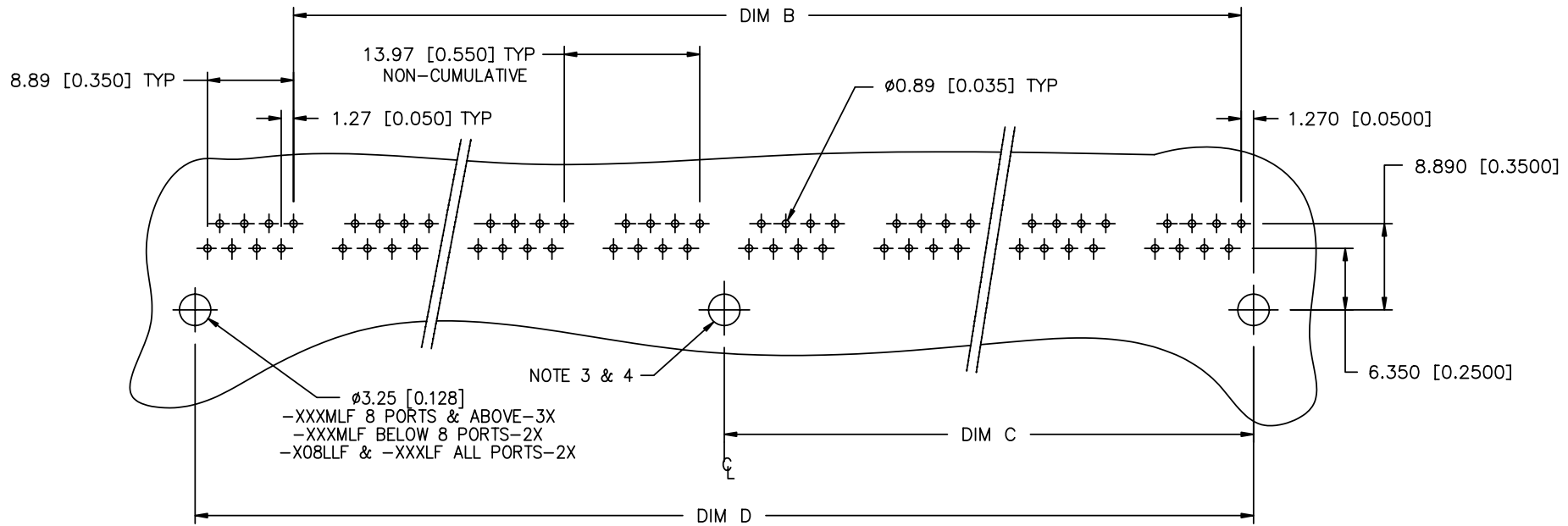
Tous droits strictement réservés. Reproduction ou communication a des tiers interdite sous quelque forme que ce soit sans autorisation écrite du propriétaire. Propriété de c FCI. Droits de reproduction FCI.

All rights strictly reserved. Reproduction or issue to third parties in any form whatever is not permitted without written authority from the proprietor. Property of FCI. Copyright FCI.

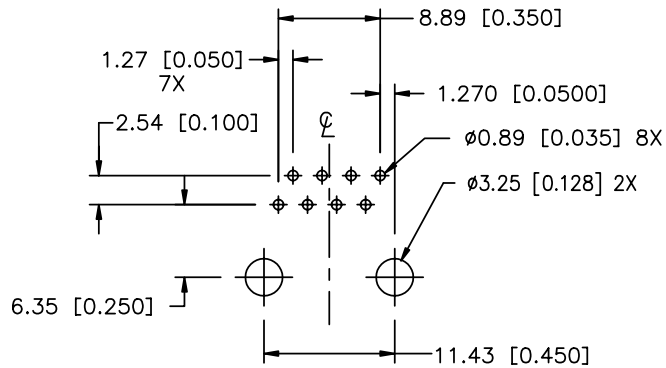


PRODUCT NO

SEE TABLE



RECOMMENDED PC BOARD LAYOUT  
(2 THRU 12 PORTS)



RECOMMENDED PC BOARD LAYOUT  
(1 PORT)

mat'l. code				tolerances unless otherwise specified		CUSTOMER COPY	 www.fciconnect.com
ltr	ecn no	dr	date	linear	.X $\pm$ .3/.XX $\pm$ .01		
L					.XX $\pm$ .13/.XXX $\pm$ .005		R/A. 8 POS GANG JACK ASSY. UNSHIELDED, SNAP PEG
				angles	XXX $\pm$ .051/.XXXX $\pm$ .0020		
				dr	0' $\pm$ 2'	MM/INCH	code
				enr		scale	size
				chr			
				appd		A	sheet
sheet index	revision sheet						5 of